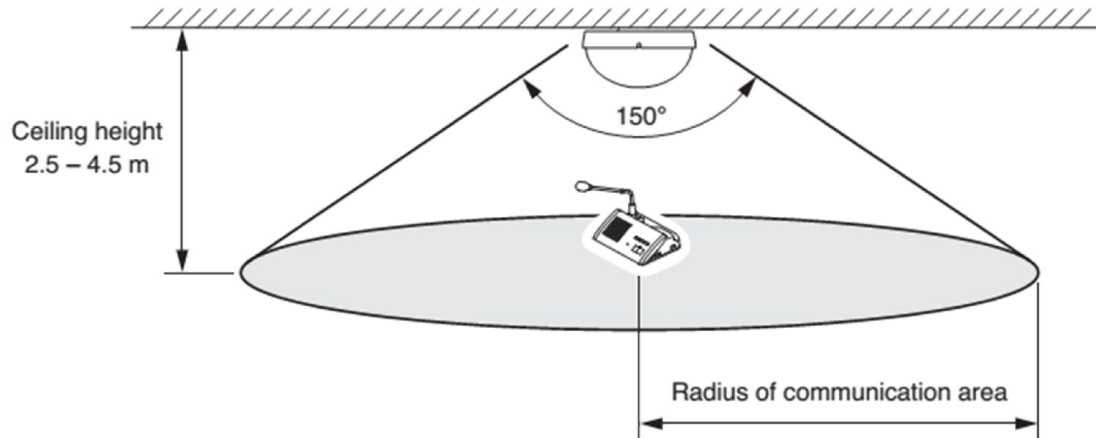


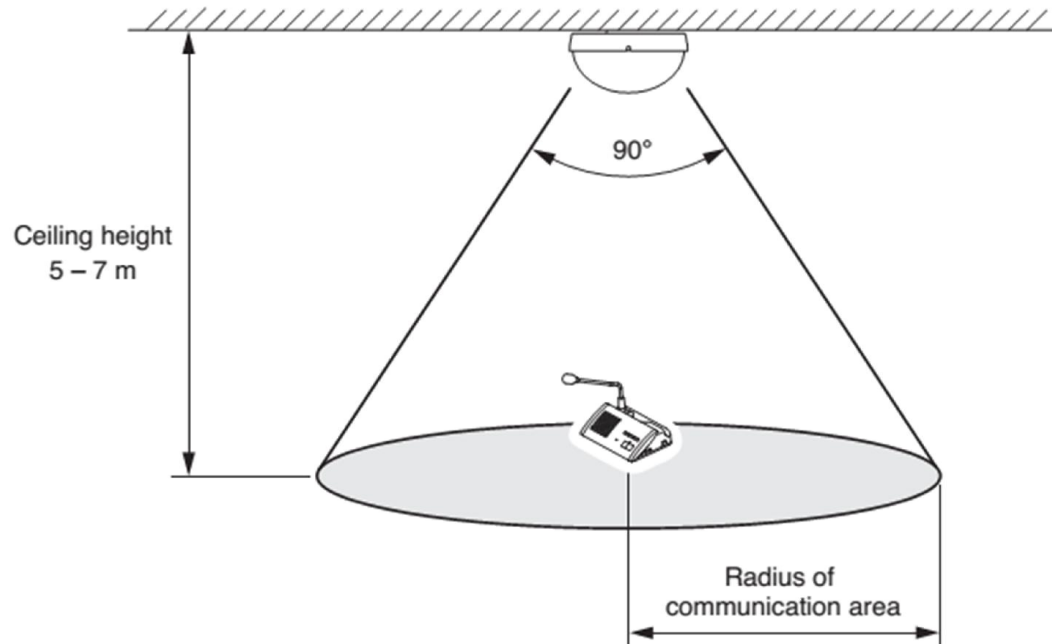
HƯỚNG DẪN SỬ DỤNG BỘ THU - PHÁT HỒNG NGOÀI

TS-905 / TS-907

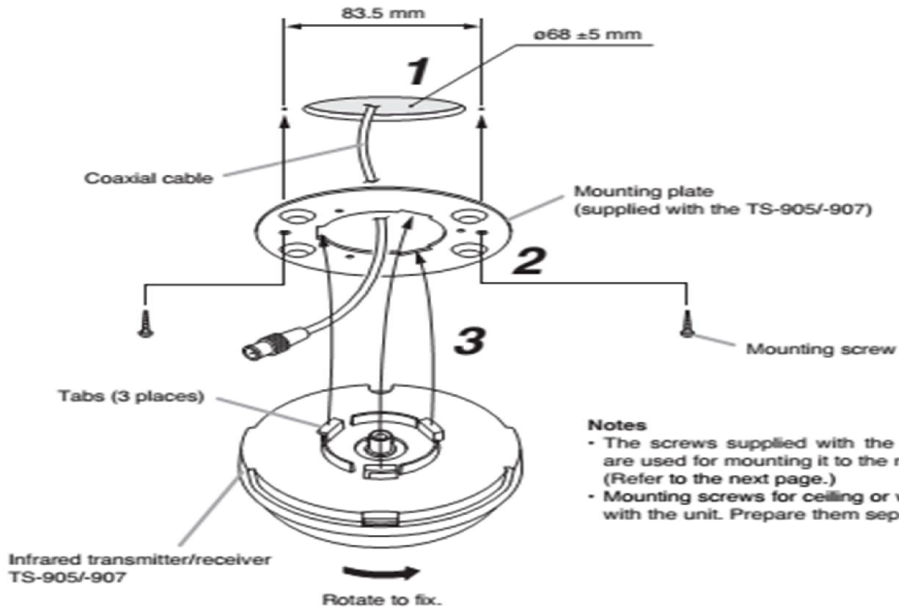
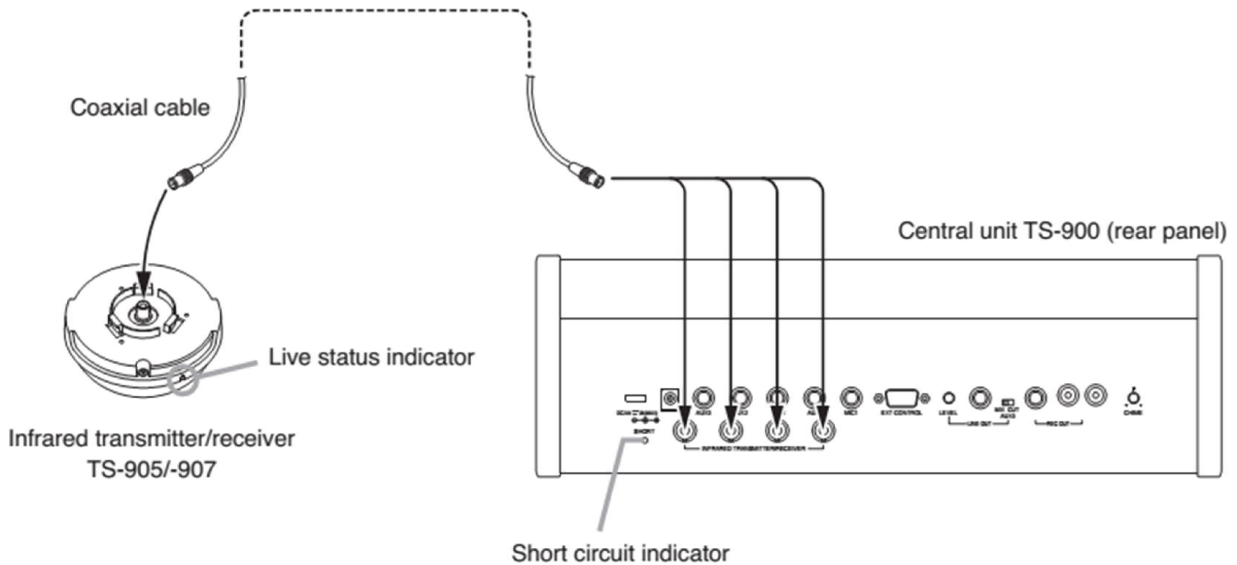
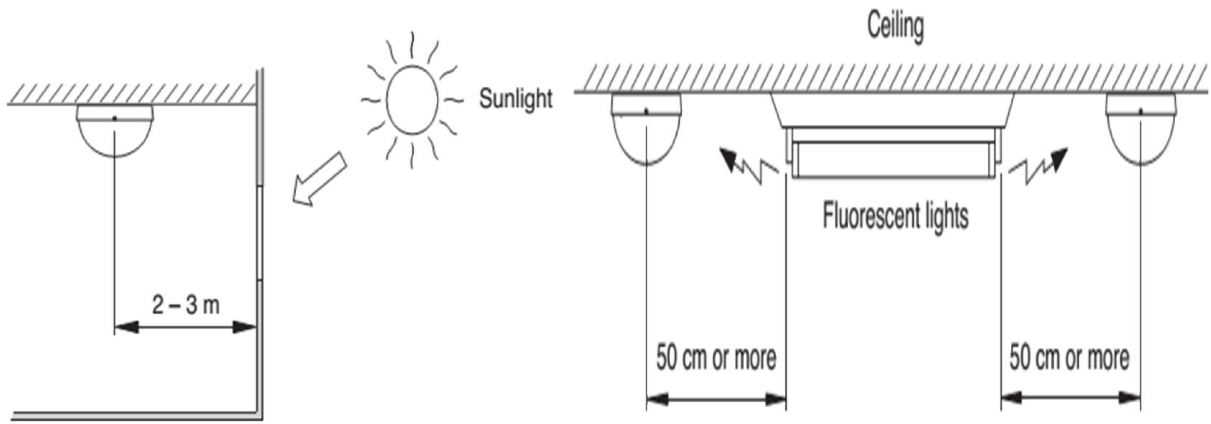
• TS-905



• TS-907



Model	Ceiling height	Radius of communication area
TS-905	2.5 m	Approx. 7.0 m
	3.0 m	
	3.5 m	Approx. 6.5 m
	4.0 m	
	4.5 m	
TS-907	5.0 m	Approx. 6.0 m
	5.5 m	
	6.0 m	
	6.5 m	
	7.0 m	



Notes

- The screws supplied with the TS-905 and TS907 are used for mounting it to the microphone stand. (Refer to the next page.)
- Mounting screws for ceiling or wall are not supplied with the unit. Prepare them separately.

