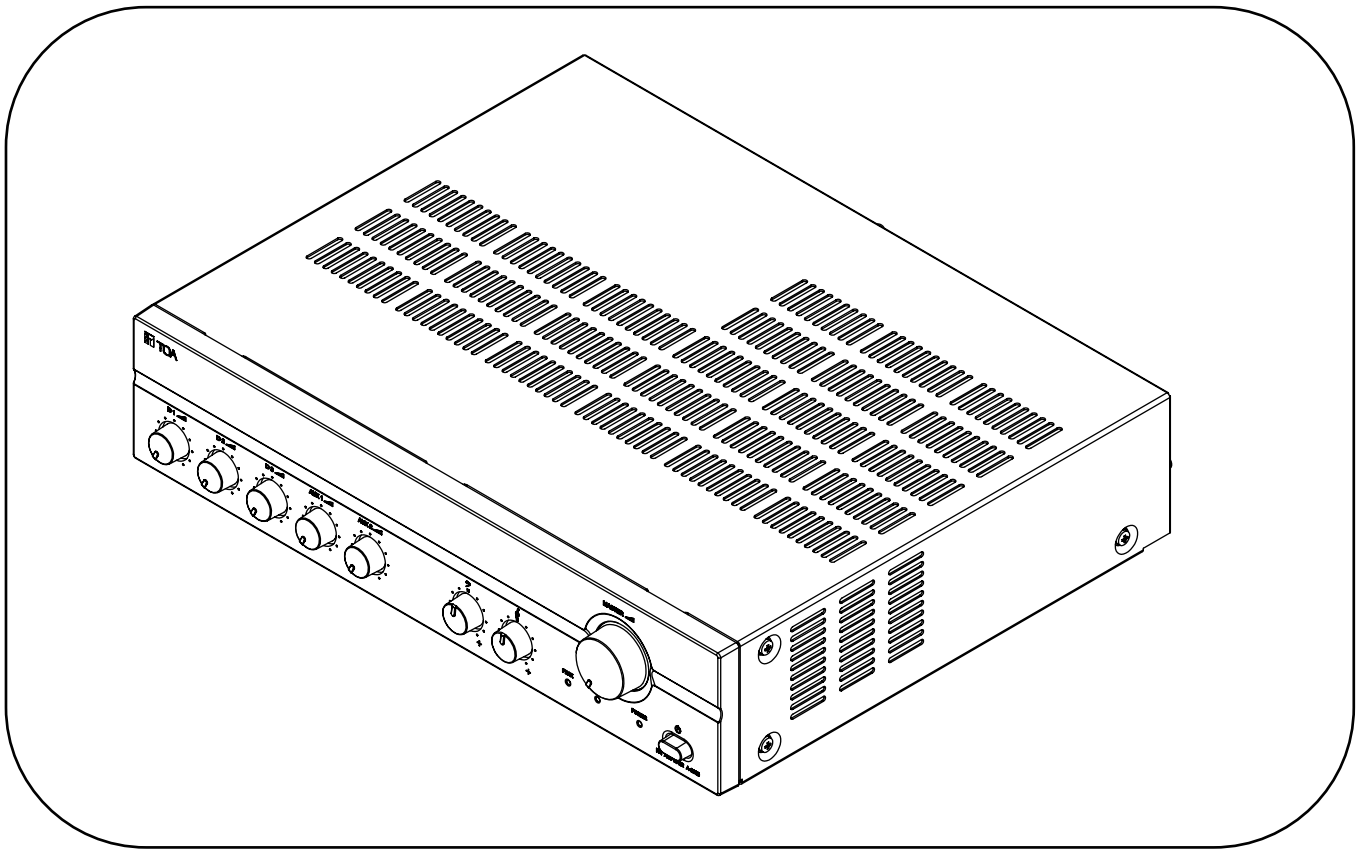




## OPERATING INSTRUCTIONS

### PA AMPLIFIERS

**A-2030 L   A-2030 H   A-2030 SA**  
**A-2060 L   A-2060 H   A-2060 SA**  
**A-2120 L   A-2120 H   A-2120 SA**  
**A-2240 L   A-2240 H   A-2240 SA**



Please follow the instructions in this manual to obtain the optimum results from this unit.  
We also recommend that you keep this manual handy for future reference.

**TOA Corporation**

# TABLE OF CONTENTS

1.	IMPORTANT SAFETY INSTRUCTIONS.....	3
2.	SAFETY PRECAUTIONS .....	3
3.	GENERAL DESCRIPTION .....	5
4.	FEATURES.....	5
5.	NOMENCLATURE AND FUNCTIONS	
	5.1 Front .....	6
	5.2 Rear .....	6
6.	MUTING FUNCTION .....	7
7.	CONNECTIONS	
	7.1. Input Connections .....	8
	7.2. Output Connections .....	9
	7.3. Example of External Equipment Connections .....	9
8.	INSTALLATION .....	10
9.	VOLUME CONTROL SETTINGS .....	10
10.	BLOCK LEVEL DIAGRAM .....	10
11.	DIMENSIONAL DIAGRAM .....	11
12.	SPECIFICATIONS .....	12

# 1. IMPORTANT SAFETY INSTRUCTIONS

- Read these instructions.
- Keep these instructions.
- Heed all warnings.
- Follow all instructions.
- Do not use this apparatus near water.
- Clean only with dry cloth.
- Do not block any ventilation openings. Install in accordance with the manufacture's instructions.
- Do not install near any heat sources such as radiators, heat registers, stoves, or other apparatus (including amplifiers) that produce heat.
- Do not defeat the safety purpose of the polarized or grounding-type plug. A polarized plug has two blades with one wider than the other. A grounding type plug has two blades and a third grounding prong. The wide blade or the third prongs are provided for your safety. If the provided plug does not fit into your outlet, consult an electrician for replacement of the obsolete outlet.
- Protect the power cord from being walked on or pinched particularly at plugs, convenience receptacles, and the point where they exit from the apparatus.
- Only use attachments/accessories specified by the manufacturer.
- Use only with the cart, stand, tripod, bracket, or table specified by the manufacturer, or sold with the apparatus.
- When a earth is used, use caution when moving the cart/apparatus combination to avoid injury from tip-over.
- Unplug this apparatus during lightning storms or when unused for long periods of time.
- Refer all servicing to qualified service personnel. Servicing is required when the apparatus has been damaged in any way, such as power-supply cord or plug is damaged, Liquid has been spilled or objects have fallen into the apparatus, the apparatus has been exposed to rain or moisture, does not operate normally, or has been dropped.



# 2. SAFETY PRECAUTIONS

- Before installation or use, be sure to carefully read all the instructions in this section for correct and safe operation.
- Be sure to follow all the precautionary instructions in this section, which contain important warnings and/or cautions regarding safety.
- After reading, keep this manual handy for future reference.

## Safety Symbol and Message Conventions

Safety symbols and messages described below are used in this manual to prevent bodily injury and property damage which could result from mishandling. Before operating your product, read this manual first and understand the safety symbols and messages so you are thoroughly aware of the potential safety hazards.




The exclamation point within an equilateral triangle is intended to alert the user to the presence of important operation and maintenance (servicing) instruction in the literature accompanying the appliance.



## WARNING

Indicates a potentially hazardous situation which, if mishandled, could result in death or serious personal injury.

## When Installing the Unit

- **WARNING:** Do not expose the unit to rain or an environment where it may be splashed by water or other liquids, as doing so may result in fire or electric shock.
- Use the unit only with the voltage specified on the unit. Using a voltage higher than that which is specified may result in fire or electric shock.
- Do not cut, kink, otherwise damage nor modify the power supply cord. In addition, avoid using the power cord in close proximity to heaters, and never place heavy objects -- including the unit itself -- on the power cord, as doing so may result in fire or electric shock.
- Avoid installing or mounting the unit in unstable locations, such as on a rickety table or a slanted surface. Doing so may result in the unit falling down and causing personal injury and/or property damage.
- The terminals marked with the symbol  are hazardous live. The external wiring to these terminals requires installation by an instructed person.
- The apparatus shall be connected to a mains socket outlet with a protective earthing connection.

### When the Unit is in Use

- Should the following irregularity be found during use, immediately switch off the power, disconnect the power supply plug from the AC outlet and contact your nearest TOA dealer. Make no further attempt to operate the unit in this condition as this may cause fire or electric shock.
  - If you detect smoke or a strange smell coming from the unit.
  - If water or any metallic object gets into the unit.
  - If the unit falls, or the unit case breaks.
  - If the power supply cord is damaged (exposure of the core, disconnection, etc.)
  - If it is malfunctioning (no tone sounds.)
- To prevent a fire or electric shock, never open nor remove the unit case as there are high voltage components inside the unit. Refer all servicing to your nearest TOA dealer.
- Do not place cups, bowls, or other containers of liquid or metallic objects on top of the unit. If they accidentally spill into the unit, this may cause a fire or electric shock.



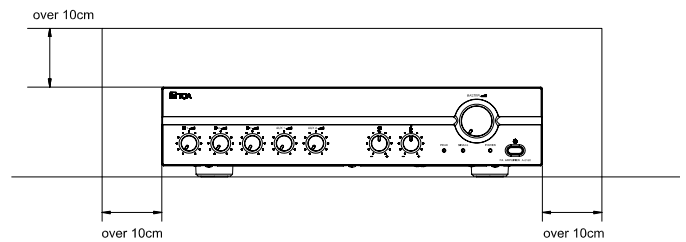
### CAUTION

Indicates a potentially hazardous situation which, if mishandled, could result in moderate or minor personal injury, and/or property damage.

### When Installing the Unit

- Never plug in nor remove the power supply plug with wet hands, as doing so may cause electric shock.
- When unplugging the power supply cord, be sure to grasp the power supply plug; never pull on the cord itself. Operating the unit with a damaged power supply cord may cause a fire or electric shock.
- Do not block the ventilation slots in the unit's cover. Doing so may cause heat to build up inside the unit and result in fire.
- Avoid installing the unit in humid or dusty locations, in locations exposed to the direct sunlight, near the heaters, or in locations generating sooty smoke or steam as doing otherwise may result in fire or electric shock.
- To avoid electric shocks, be sure to unplug the unit's power supply cord when connecting speakers.
- Be sure to follow the instructions below when rack-mounting the unit. Failure to do so may cause a fire or personal injury.

- Install the equipment rack on a stable, hard floor. Fix it with anchor bolts or take other arrangements to prevent it from falling down.
- When connecting the unit's power cord to an AC outlet, use the AC outlet with current capacity allowable to the unit.
- No rack-mounting screws are supplied with the unit. Separately prepare the appropriate screws for the rack.
- Keep the 2000 series amplifiers over 10 cm away from objects that may obstruct air flow to prevent the unit's internal temperature rise.



### When the Unit is in Use

- Do not operate the unit for an extended period of time with the sound distorting. This is an indication of a malfunction, which in turn can cause heat to generate and result in a fire.
- Switch off the power, and unplug the power supply plug from the AC outlet for safety purposes when cleaning or leaving the unit unused for 10 days or more. Doing otherwise may cause a fire or electric shock.

An all-pole mains switch with a contact separation of at least 3 mm in each pole shall be incorporated in the electrical installation of the building.



The lightning flash with arrowhead symbol, within an equilateral triangle, is intended to alert the user to the presence of uninsulated "dangerous voltage" within the product's enclosure that may be of sufficient magnitude to constitute a risk of electric shock to persons.



### ATTENTION

L'appareil ne doit pas être exposé aux éclaboussures ou écoulements et tous objets remplis de liquide, tels que vases, ne doivent pas être sur l'appareil.

### **3. GENERAL DESCRIPTION**

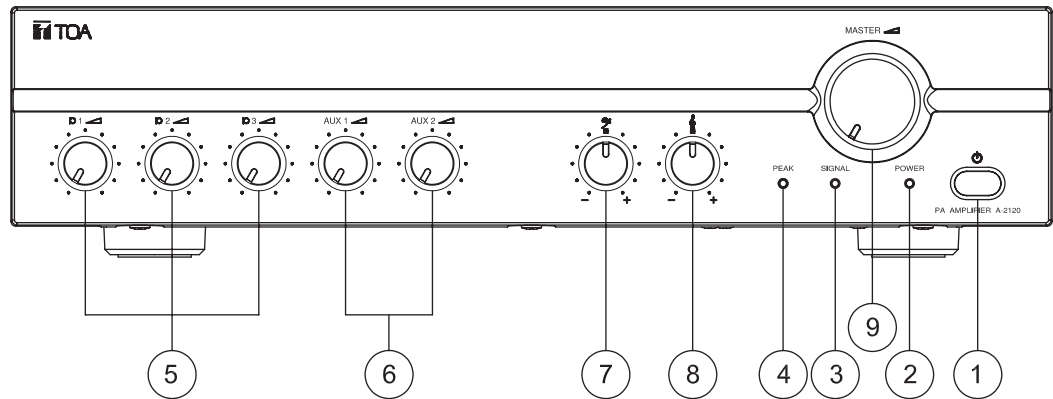
TOA's Basic Amplifiers A-2030, A-2060, A-2120 and A-2240 are high cost-performance mixer power amplifiers suited for broadcasting paging or background music in schools, offices, shops, factories, mosques, churches and large rooms.

### **4. FEATURES**

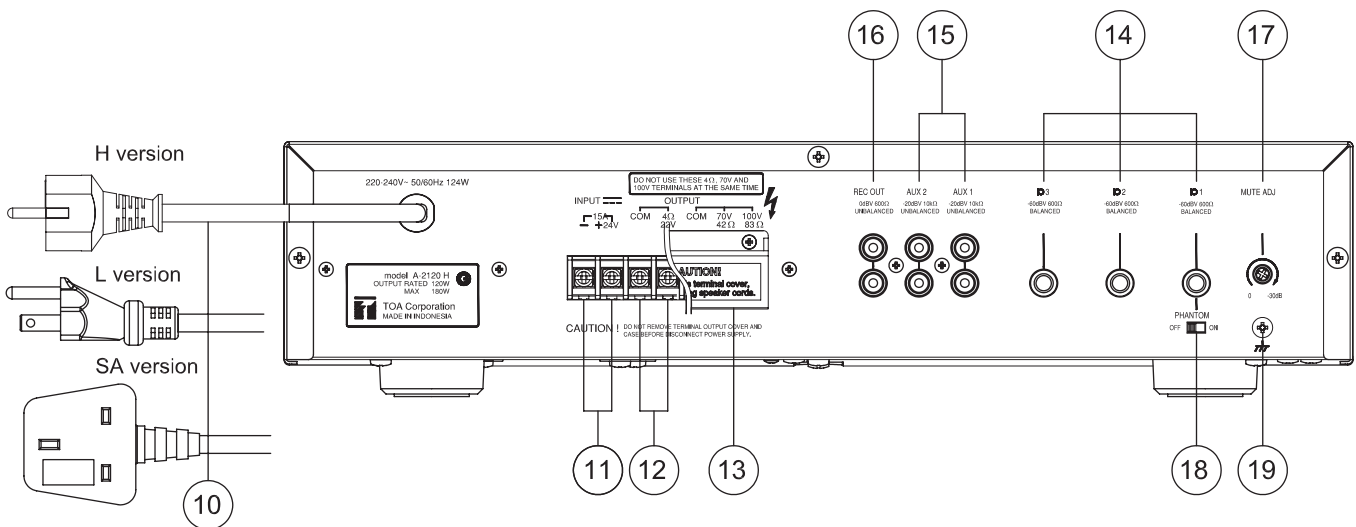
- High durability, high reliability, and high cost performance.
- Three microphone inputs, two AUX inputs, and one recording output.
- Speaker output of constant voltage distribution system (70V or 100V) and low impedance (4 $\Omega$ ).
- Operates on both AC and DC power.
- Muting function.
- Independent input volume controls and master volume control.
- Independent tone controls of boost and cut type for both high and low frequencies.
- MIC 1 input is equipped with a 5-pin DIN connector to provide muting control.
- MIC 1 with phantom power for condenser microphones.
- Current limiter circuitry protects transistors, and the thermal protection circuitry prevents a failure due to overheat.
- All MIC inputs are electronically-balanced input.

# 5. NOMENCLATURES AND FUNCTIONS

## 5.1. Front



## 5.2. Rear



- 1. Power Switch**  
 Press to turn ON the power.  
 Press again to turn the power STANDBY.  
 Disconnect the AC mains plug or DC Terminal to shut the power OFF completely.
- 2. Power Indicator**  
 Lights green when power is switched ON.
- 3. Signal Indicator**  
 Lights green when power is switched ON, and indicates an output signal.
- 4. Microphone Volume Control**  
 Adjusts the microphone level.
- 5. AUX Volume Control**  
 Adjusts the AUX level.
- 6. Bass Control**  
 Adjusts bass response. Rotate counterclockwise to reduce it. The maximum position provides flat characteristics.
- 7. Treble Control**  
 Adjusts treble response. Rotate counterclockwise to reduce it. The maximum position provides flat characteristics.
- 8. AC Power Cord**  
 Connects to an AC power source.
- 9. DC Terminal**  
 Connects to a DC power supply of 24V.

### 10. Output Terminals

Connect to speakers. When connecting speakers use only one of the speaker output terminals, low or high impedance.

### 11. Terminal Cover

To avoid electric shock by high voltage from output terminal, put back the terminal cover after connecting speaker cords.

### 12. MIC 1, MIC 2 and MIC 3 Inputs

-60 dB (1mV), 600  $\Omega$ , unbalanced.  
Because microphone input is unbalanced type, phone plug uses single pole type.  
(Refer to Input Connection in detail)

### 13. AUX Input Terminals

-20dB, 10k $\Omega$ , unbalanced. Monaural RCA pin jacks. Accept external equipment output signal.

### 14. Muting Level Control

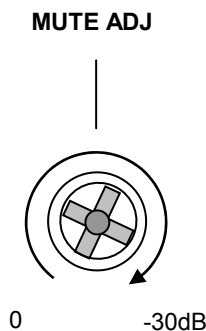
Adjusts the background music level 0 ~ 30dB to be automatically reduced when priority function is operated.

### 15. Ground Terminal

Connect to ground (earth) to avoid electric shock.

## 6. MUTING FUNCTION

- Mic1 input has a priority function. When Mic1 input is used, it takes precedence and automatically reduces the volume of Mic2, Mic3, and Aux inputs by 0 to 30 dB, which is adjustable with the MUTE ADJ on rear panel. The attenuation level is preset for -30 dB at the factory.



#### Remark: About Mute function.

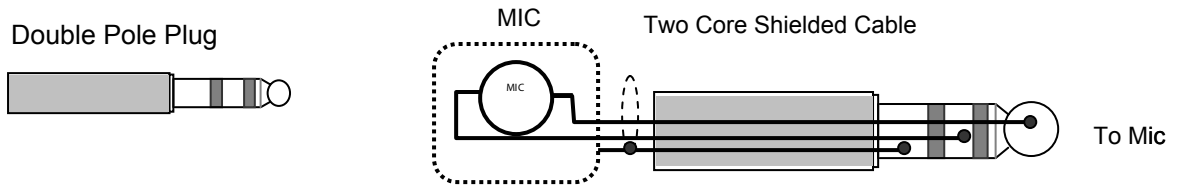
- When signal is in Mic1, the mute circuit works promptly.
- When signal Mic1 is disappear, it returns to an old state about 3 seconds later.

# 7. CONNECTIONS

## 7.1. Input Connections

- **Mic1, Mic2, Mic3 Connection (Phone Plug)**

Because MIC input is electronically balanced type, it uses double pole phone plug.



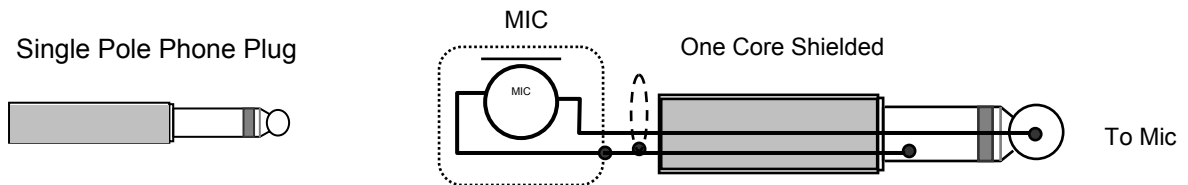
**Phantom Switch Position**  
In the case of Dynamic Microphone



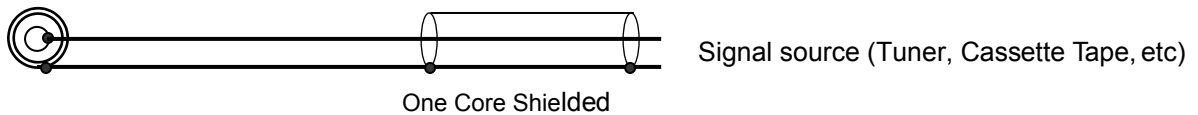
In the case of Phantom Power Microphone



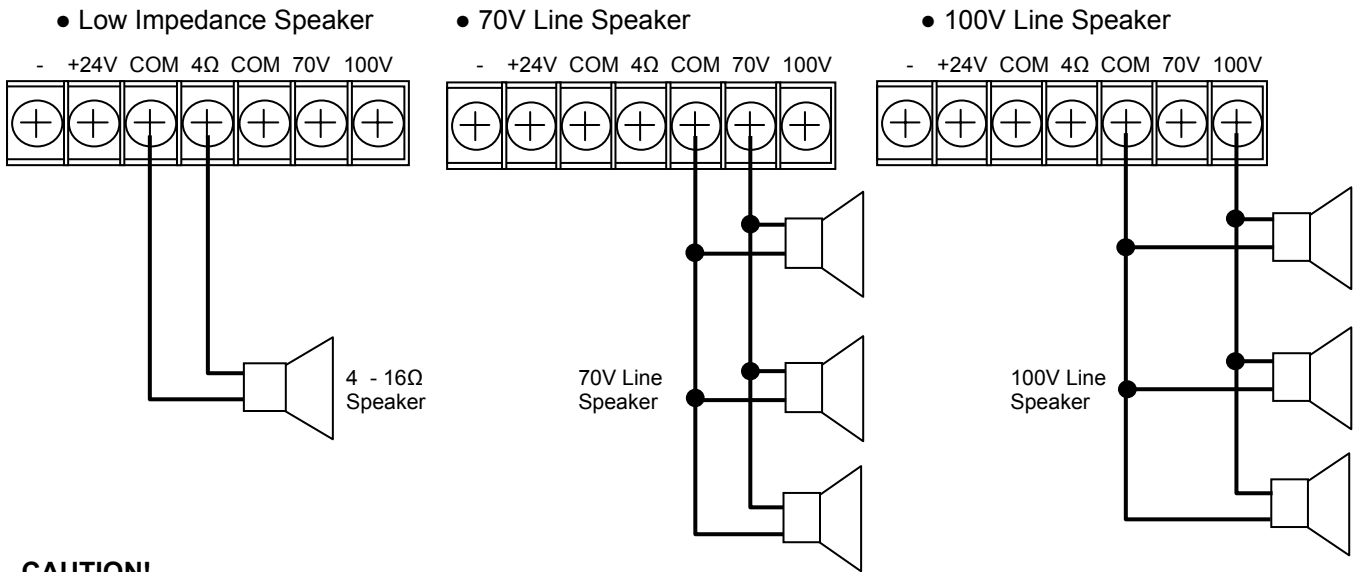
However, the microphone input circuit is in a condition of unbalance when it uses Single pole type. Because it is easy to pick up noise with the state of unbalance, the length of the microphone cable recommends what is used at less than 10m.



- **AUX input Connections (RCA pin jack)**



## 7.2. Output Connections



### CAUTION!

- Tripartite the 4Ω, 70V and 100V terminals cannot be used at the same time.
- Impedances indicated at the terminal represent the total speaker system (load) impedances.

Total impedances of 100V line:

- 330Ω (A-2030)
- 170Ω (A-2060)
- 83Ω (A-2120)
- 42Ω (A-2240)

Total impedances of 70V line:

- 170Ω (A-2030)
- 83Ω (A-2060)
- 42Ω (A-2120)
- 21Ω (A-2240)

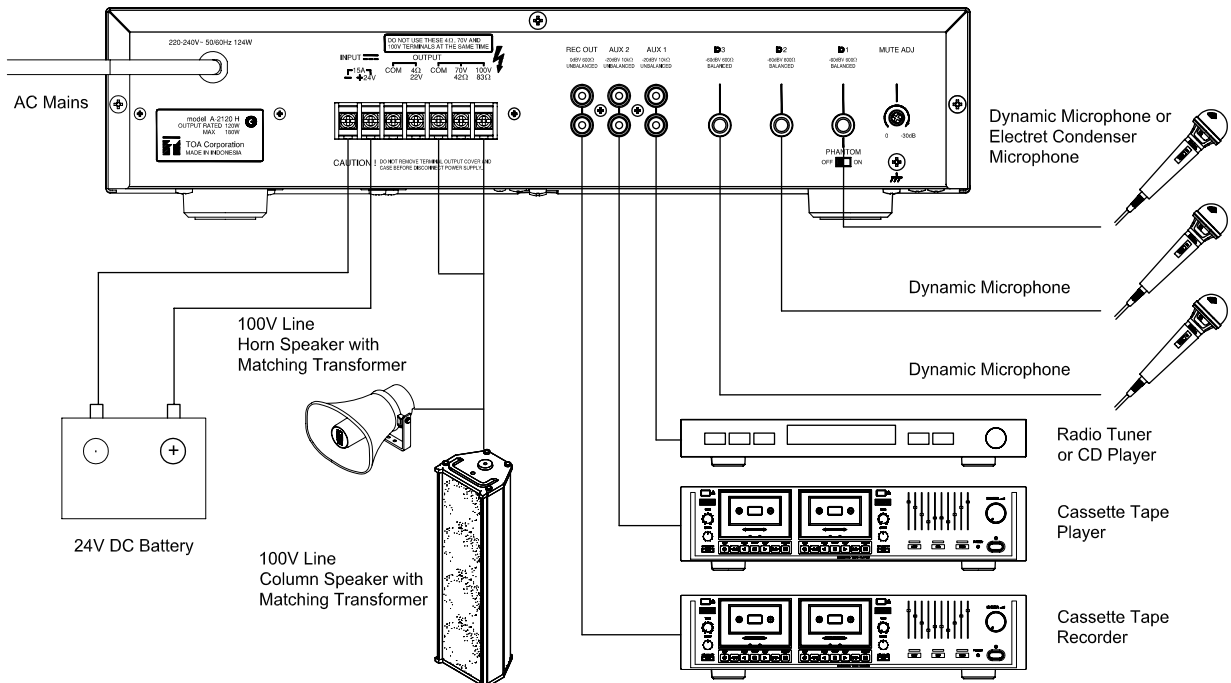


### CAUTION

Be sure to attach the supplied terminal cover after connection completion.

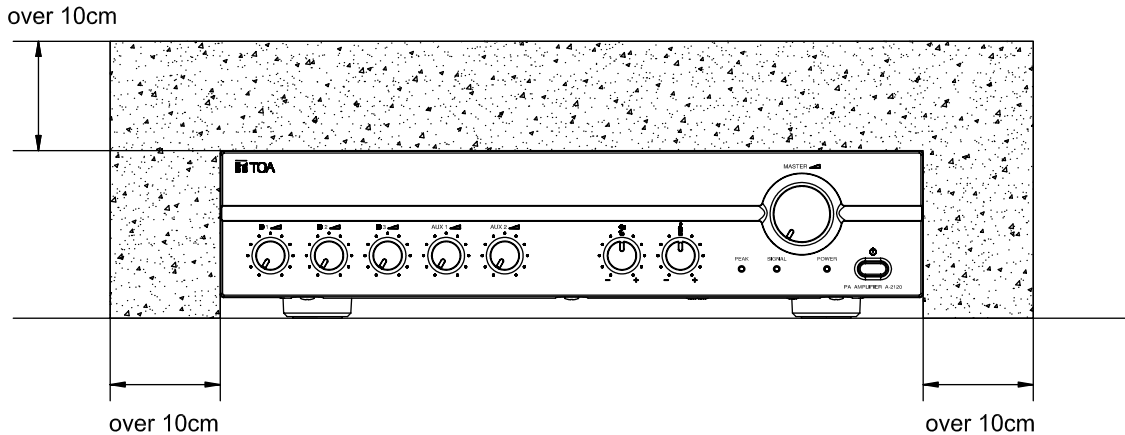
Because high voltage is applied to the speaker terminals, never touch these terminals to avoid electric shock.

## 7.3. Example of External Equipment Connections



## 8. INSTALLATION

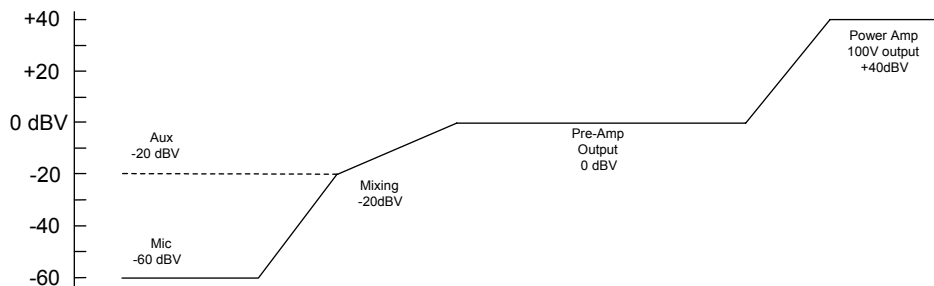
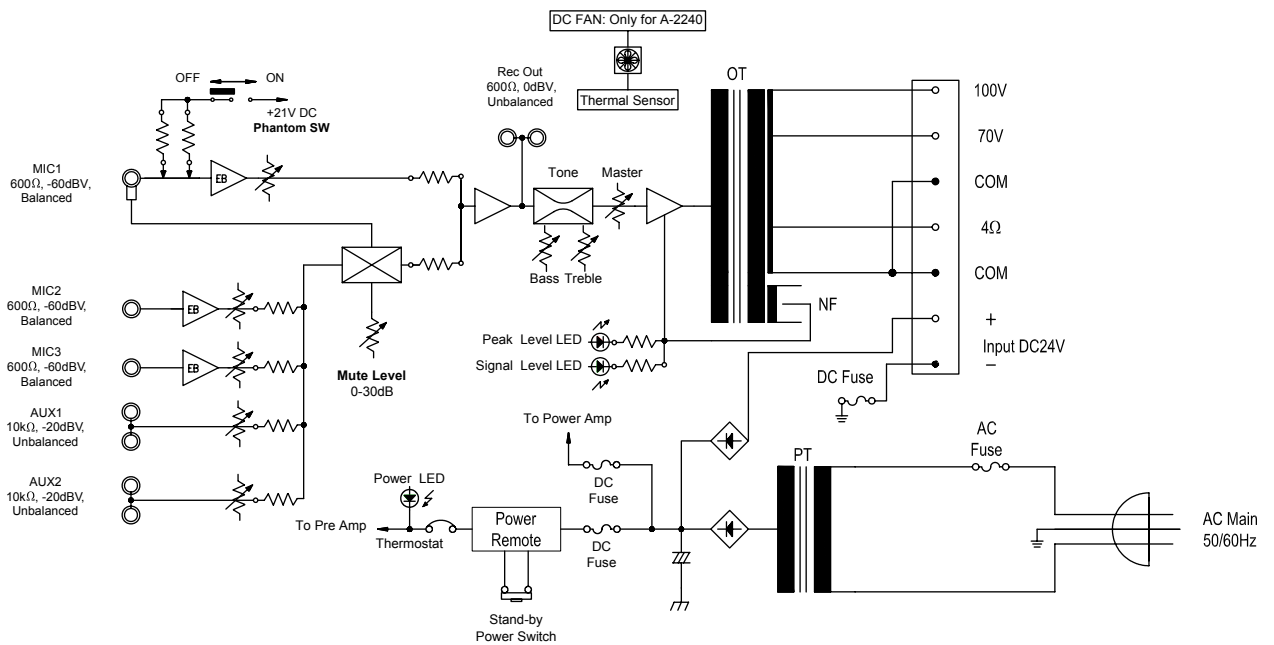
Keep the unit's all sides over 10 cm (3.94 inches) away from object that may obstruct air flow to prevent the unit's internal temperature rise.



## 9. VOLUME CONTROL SETTINGS

Output levels are adjustable with individual volume controls. For music play or announcement, adjust the corresponding volume control so that the red peak indicator lights intermittently. Note that the sound quality is downgraded when the peak indicator remains lit.

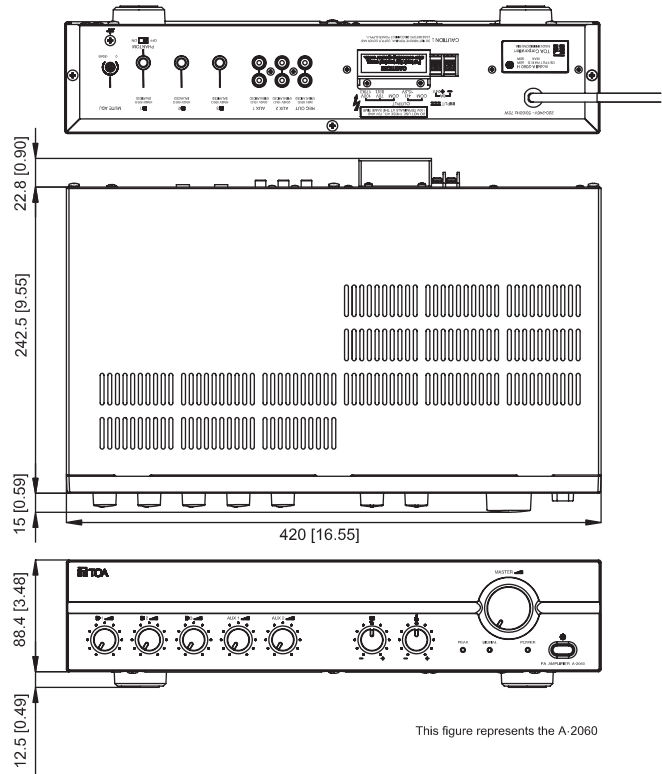
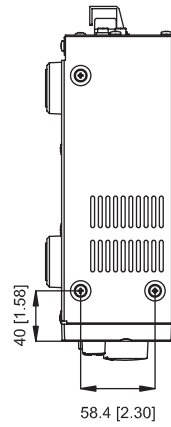
## 10. BLOCK & LEVEL DIAGRAM



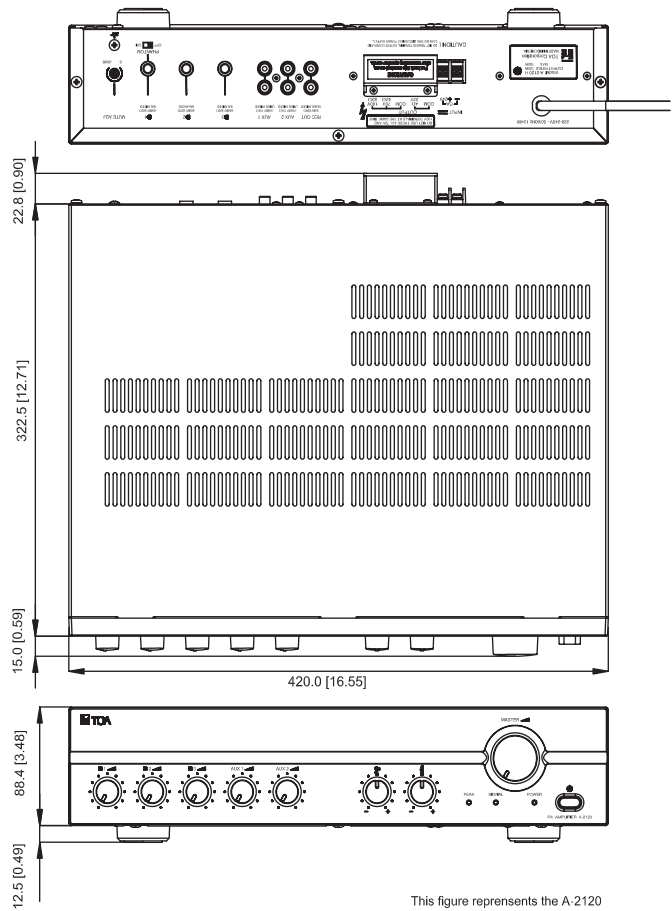
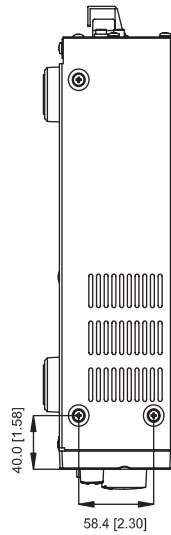
# 11. DIMENSIONAL DIAGRAM

- A-2030 L, A-2030 H, A-2030 SA
- A-2060 L, A-2060 H, A-2060 SA

units: mm(inches)



- A-2120 L, A-2120 H, A-2120 SA
- A-2240 L, A-2240 H, A-2240 SA



## 12. SPECIFICATIONS

Model No.	A-2030 L-H-SA	A-2060 L-H-SA	A-2120 L-H-SA	A-2240 L-H-SA
Power Source	H-SA version : 220 - 240V AC or 24V DC L version : 110 - 120 AC or 24V DC			
Rated Output	30 W	60 W	120 W	240 W
Power Consumption (EN60065)	34 W	72 W	124 W	238 W
DC Current Consumption (at rated output)	2 A	4 A	8 A	15 A
Frequency Response	50 - 20,000 Hz, $\pm 3$ dB			
Distortion	Less Than 1% at 1 kHz, 1/3 Rated Power			
Inputs	MIC 1	-60 dBV (1.0 mV), 600 $\Omega$ , Balanced, Equivalent to Phone Jack		
	MIC 2	-60 dBV (1.0 mV), 600 $\Omega$ , Balanced, Equivalent to Phone Jack		
	MIC 3	-60 dBV (1.0 mV), 600 $\Omega$ , Balanced, Equivalent to Phone Jack		
	AUX 1	-20 dBV (100 mV), 10 k $\Omega$ , Unbalanced, RCA Pin Jack		
	AUX 2	-20 dBV (100 mV), 10 k $\Omega$ , Unbalanced, RCA Pin Jack		
Outputs	Speaker Out	All Speaker Outputs are Floating Balanced		
	100 V	330 $\Omega$	170 $\Omega$	83 $\Omega$
	70 V	170 $\Omega$	83 $\Omega$	42 $\Omega$
	4 $\Omega$	11 V	15.5 V	22 V
	Rec Out	0dBV (1.0V), 600 $\Omega$ , Unbalanced, RCA Pin Jack		
Phantom Power	DC +21 V (MIC1)			
S/N Ratio	Over 60 dB			
Tone Controls	Bass: $\pm 10$ dB at 100 Hz Treble: $\pm 10$ dB at 10 kHz			
Muting	MIC1 overrides other input signals with 0 - 30 dB attenuation by voice switch of MIC1 input level.			
Ventilation	-----	-----	-----	Cooling Fan
Indicators	Power LED, Signal LED, Peak LED			
Finish	Panel: ABS Resin, Black Case: Steel Plate, Black			
Dimensions	420(W) x 101(H) x 280(D) mm		420(W) x 101(H) x 360(D) mm	
	16.5(W) x 4.0(H) x 11.0(D) inches		16.5(W) x 4.0(H) x 14.2(D) inches	
Weight	5.0 kg	7.0 kg	10.8 kg	13.2 kg
	11.05 lb	15.43 lb	23.81 lb	29.10 lb
<b>H, SA and L are the identically same specifications, but only power supply cord and AC power source is different.</b>				

**Note:**

0 dBV = 1.0 V

Specifications are measured on 240V AC for H and SA version and 120V for L version.

The design and specifications are subject to change without notice for improvement.

Traceability Information for Europe (EMC directive 2004/108/EC)

Manufacturer:  
TOA Corporation  
7-2-1, Minatojima Nakamachi, Chuo-ku, Kobe, Hyogo  
Japan

Authorized representative:  
TOA Electronics Europe GmbH  
Suederstrasse 282, 0537 Hamburg,  
Germany

URL: <http://www.toa.jp/>